

# ZY80 Series

## Permanent Magnet Brush DC Motors

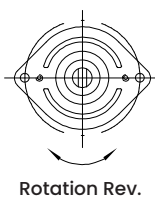
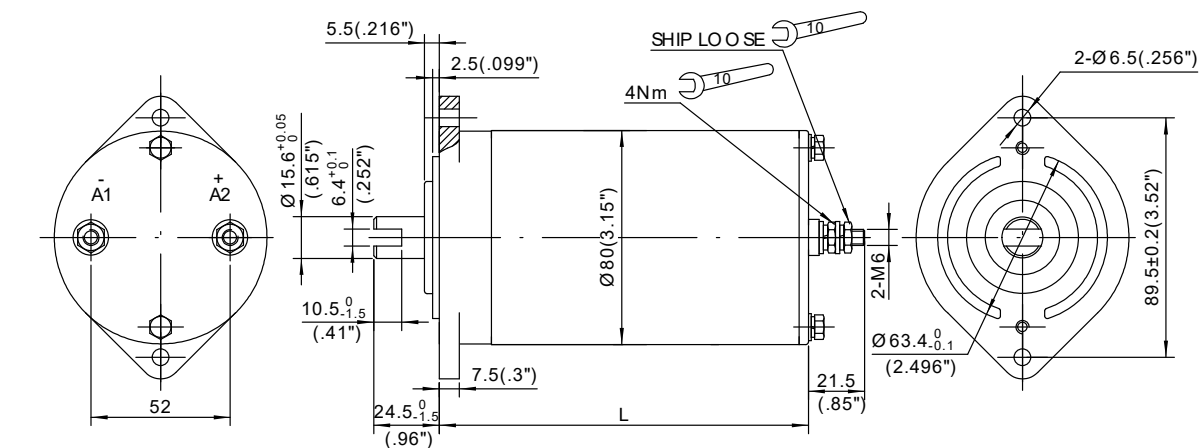


### Technical Characteristics

- Insulation Class: F
- Protection Degree: IP52
- Rotation: Reversible

Type	Nominal Power	Rated Voltage	Speed	Duty	Excitation	Characteristic	Dimensions		Weight
							L		
ZY80-500-25-1	500W	12V	2500RPM	S2-5 min, S3-17%	Permanent Magnets	Fig. B1	138 (5.44")	2.6kg (5.8lb)	
ZY80-500-25-2	500W	24V	2500RPM			Fig. B2			
ZY80-800-40-1	800W	12V	4000RPM	Fig. B3					
ZY80-800-40-2	800W	24V	4000RPM			Fig. B4			
ZY80-800-40-4	800W	48V	4000RPM						Fig. B5

### Outline Dimensions



	Motor with Thermal Protector		Motor with Relay		Motor with Thermal Protector and Relay	
Type	ZY80-500-25-1-T	ZY80-500-25-2-T	ZY80-500-25-1-S	ZY80-500-25-2-S	ZY80-500-25-1-ST	ZY80-500-25-2-ST
	ZY80-500-40-1-T	ZY80-500-40-2-T	ZY80-800-40-1-S	ZY80-800-40-2-S	ZY80-800-40-1-ST	ZY80-800-40-2-ST
	ZY80-500-40-4-T					
Thermal Protector Type	S01.120.05				S01.120.05	
Relay Type			DK12-200	DK24-200	DK12-200	DK24-200



# ZY80 Series

## Permanent Magnet Brush DC Motors

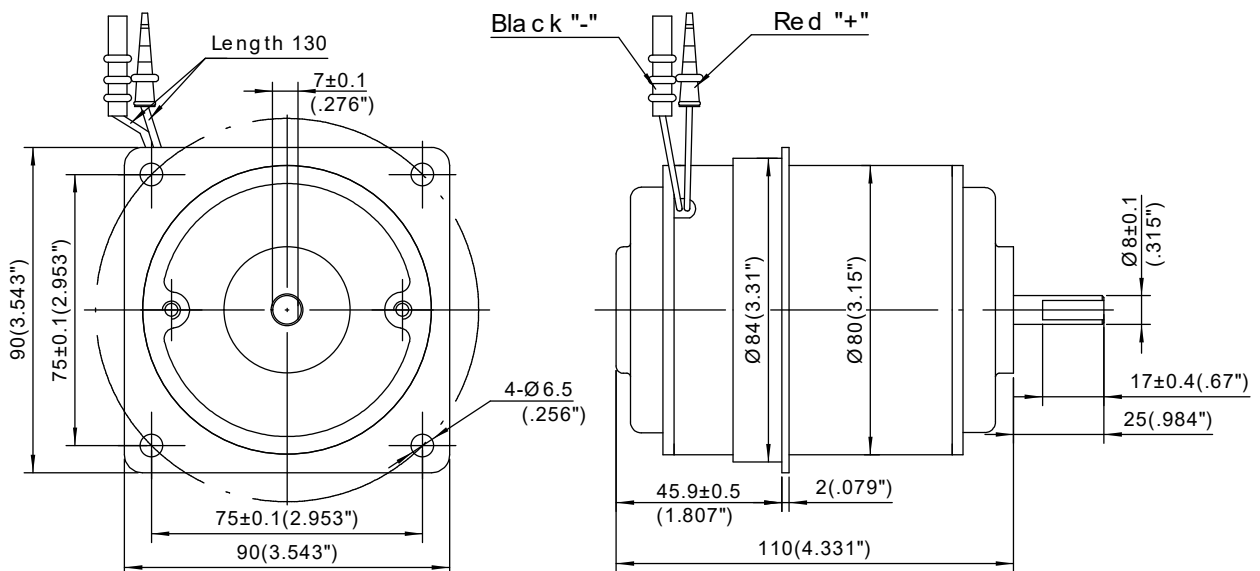


### Technical Characteristics

- Insulation Class: F
- Protection Degree: IP44
- Rotation: Reversible

Type	Nominal Power	Rated Voltage	Speed	Duty	Excitation	Characteristic	Weight
ZY80-70-24-1	70W	12V	2400RPM	S1	Permanent Magnets	Fig. B8	1.7kg
ZY80-70-24-2	70W	24V	2400RPM			Fig. B9	(3.74lb)

### Outline Dimensions



# ZY80 Series

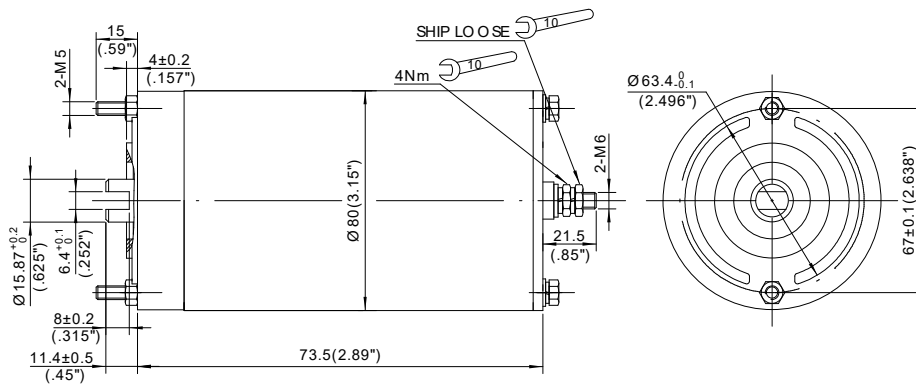
## Permanent Magnet Brush DC Motors

### Technical Characteristics

- Insulation Class: F
- Protection Degree: IP44
- Rotation: Reversible

Type	Nominal Power	Rated Voltage	Speed	Duty	Excitation	Characteristic	Weight
ZY80-800-40-2A	800W	24V	4000RPM	S2-4min, S3-10%	Permanent Magnets	Fig. B4	2.7kg (5.9lb)

### Outline Dimensions



Type	Nominal Power	Rated Voltage	Speed	Duty	Excitation	Characteristic	Weight
ZY80T-800-37-2	800W	24V	3700RPM	S2-4min, S3-10%	Permanent Magnets	Fig. BA	3.6kg (7.9lb)

### Outline Dimensions

